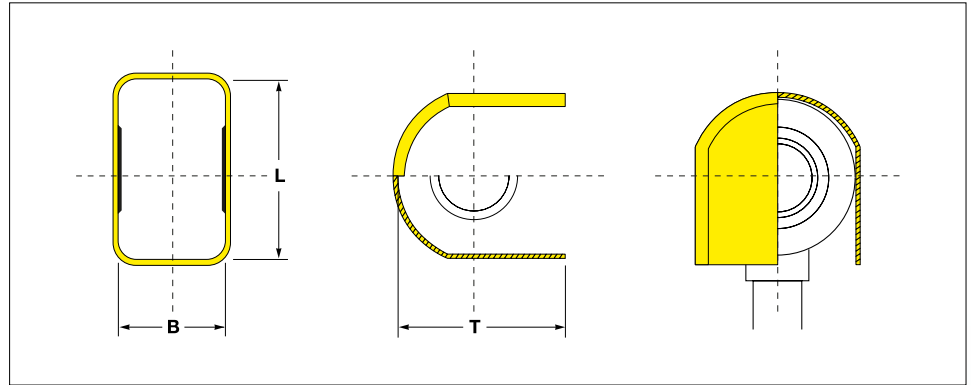


# Banjo Union Caps

Fit hydraulic banjo unions to DIN 7642 B/E  
Easy click application



**Material :**  
LLD-PE,  
linear low density polyethylene

**Standard Colour :**  
yellow

Banjo union caps provide external protection to banjo bolts. These caps provide a quick application and removal. Banjo Swivel Joints provide 360° rotation in a single plane without leakage. The units establish mechanical flexibility into high pressure and temperature systems such as fuel pressure systems, turbo charging, air-conditioning and brake installations. Banjo union caps are typically used in hydraulic, pneumatic and automotive industries.

Think Plastic. Go Protec.®



All dimensions in mm

Suitable for ring-type nipples  DIN 7642 B/E tube outside diameter	Dimensions			Reference No.
	L	B	T	
4.0	14.0	7.8	17.0	EP 265 / BE 4
5.0	14.0	7.8	17.0	EP 265 / BE 5
6.0	17.0	9.8	19.6	EP 265 / BE 6
8.0	20.0	11.6	23.5	EP 265 / BE 8
10.0	24.0	13.8	27.6	EP 265 / BE 10
12.0	28.0	15.8	31.2	EP 265 / BE 12
15.0	32.2	19.6	35.3	EP 265 / BE 15
18.0	40.0	24.8	43.0	EP 265 / BE 18

Should your requirements not be shown please ask for separate quotation.  
PROTEC products and specifications are subject to improvement and change without notice.

# Banjo Union Caps

Fit hydraulic banjo unions to DIN 7642 B/E

Easy click application

## TRIPLE ADVANTAGE of PROTEC CAPTOP®

**QUALITY.** Banjo union caps provide external protection to banjo bolts. These caps provide a quick application and removal. Banjo Swivel Joints provide 360° rotation in a single plane without leakage.

The units establish mechanical flexibility into high pressure and temperature systems such as fuel pressure systems, turbo charging, air-conditioning and brake installations. Banjo union caps are typically used in hydraulic, pneumatic and automotive industries.

Fit hydraulic banjo unions to DIN 7642 B/E

**AVAILABILITY.** With over 400 million moulded components shipped from our Oststeinbek / Hamburg logistics center we provide the fastest on time delivery service to all markets and industries.

**PHILOSOPHY.** Innovative protective closures at the best price in the market.



CAPTOP®



**Material :**  
LLD-PE,  
linear low density polyethylene

**Standard Colour :**  
yellow

**Individual Productions :**  
On request we develop and produce individually tailored solutions next to the standard items of this range: additional dimensions, different materials and new colours

We would be pleased to advise you.

Think Plastic. Go Protec.®

**PROTEC  
PLASTICS**