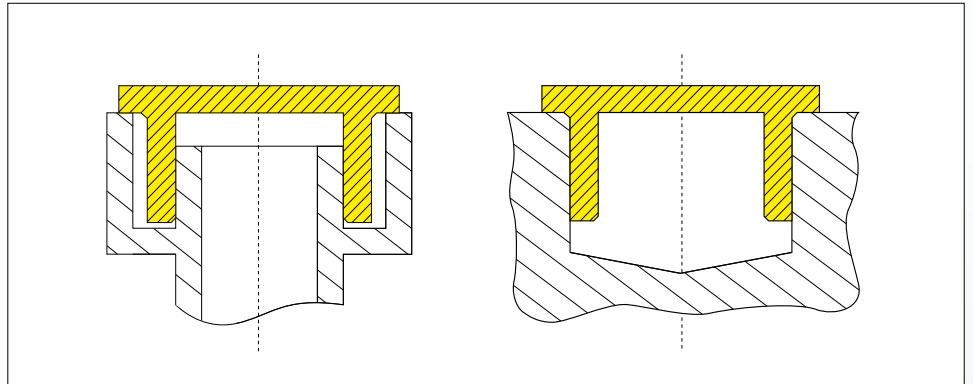
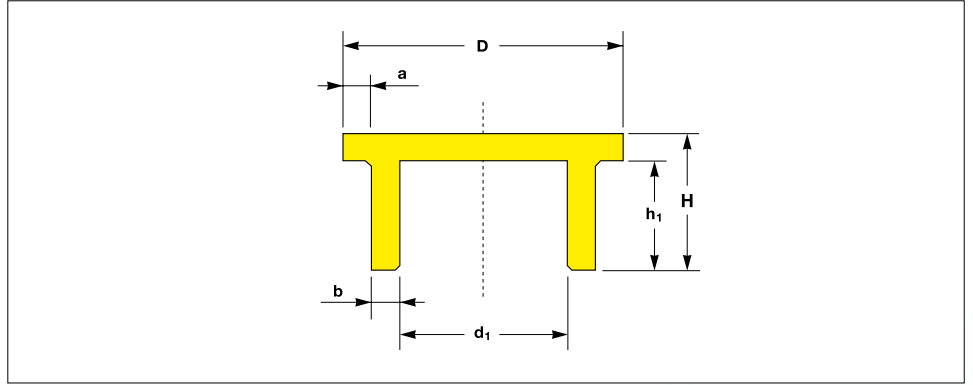


High Temperature Cylindrical Closures

Can be used as cap or plug

strong

**FLEXIBLE
PRODUCTION**



Material :
Pro-Sicon
High temperature resistant to 316° C

Standard Colour :
natural

High temperature
resistant to 316° C

Flexible material helps to
accommodate larger tolerances.

Suitable for studs, pins, external
and internal threads and bore holes.

Think Plastic. Go Protec.®



**High temperature
resistant to 316° C**

All dimensions in mm

d ₁	h ₁	H	D	a	b	Reference No.
13.18	12.0	15.0	23.18	2.5	2.5	EP 207 / R 1318 × 12
18.62	12.0	15.0	28.62	2.5	2.5	EP 207 / R 1862 × 12
34.42	10.0	13.0	44.42	2.5	2.5	EP 207 / R 3442 × 10

Should your requirements not be shown please ask for separate quotation.
PROTEC products and specifications are subject to improvement and change without notice.

High Temperature Cylindrical Closures

Can be used as cap or plug

TRIPLE ADVANTAGE of PROTEC CAPTOP®

QUALITY. Can be used as cap or plug. Flexible material helps to accommodate larger tolerances. Suitable for studs, pins, external and internal threads and bore holes.

AVAILABILITY. With over 400 million moulded components shipped from our Oststeinbek / Hamburg logistics center we provide the fastest on time delivery service to all markets and industries.

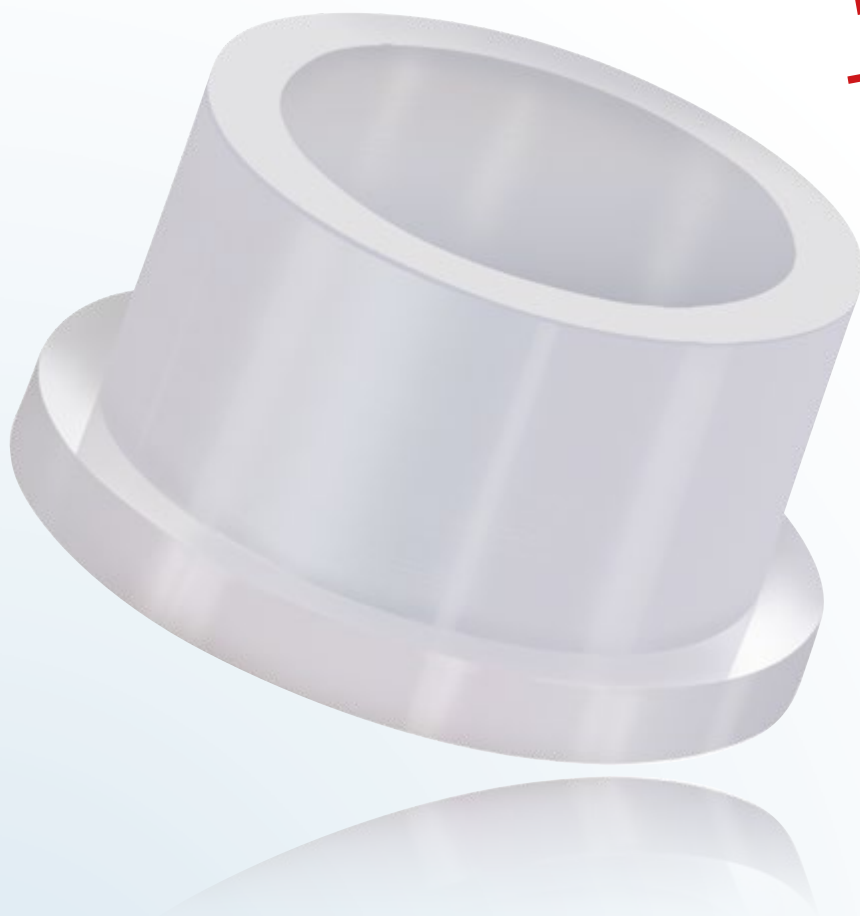
PHILOSOPHY. Innovative protective closures at the best price in the market.



CAPTOP®

High temperature
resistant to 316° C

NEW
Heat resistance



Material :

Pro-Sicon
High temperature resistant to 316° C

Standard Colour :

natural

Individual Productions :

On request we develop and produce individually tailored solutions next to the standard items of this range: additional dimensions, different materials and new colours

We would be pleased to advise you.

Think Plastic. Go Protec.®

PROTEC
PLASTICS